

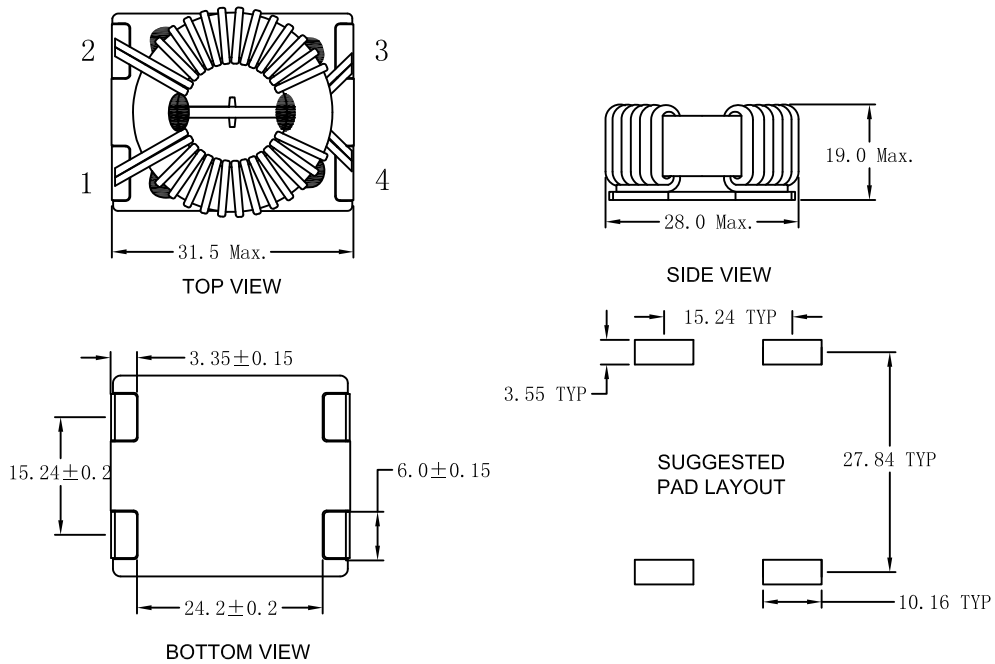
- Common mode chokes for AC Power lines
- High impedance to minimize common mode noise
- Excellent EMI performance
- Operate temperature range: -40 °C to +125 °C (Including self temperature rise)
- Storage temperature range: -40 °C to +125 °C



Electrical Specifications @25 °C

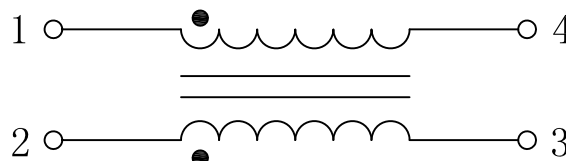
Part Number	OCL @10KHz, 0.1V (mH +40%/-35%)	DCR (Ω Max.)	Turns Ratio @20KHz, 1.0V	Rated Current (A Max.) ΔT ≅ 55 °C	Hi-Pot 10mA/2S/60Hz (Vac)
	1-4, 2-3	1-4, 2-3	1-4, 2-3		1-4 TO 2-3
CMB2210SG181N	0.18	2.0	1:1	32	1500
CMB2210SG301N	0.30	2.5	1:1	30	1500
CMB2210SG321N	0.32	3.5	1:1	25	1500
CMB2210SG601N	0.60	4.5	1:1	20	1500
CMB2210SG801N	0.80	6.5	1:1	16	1500

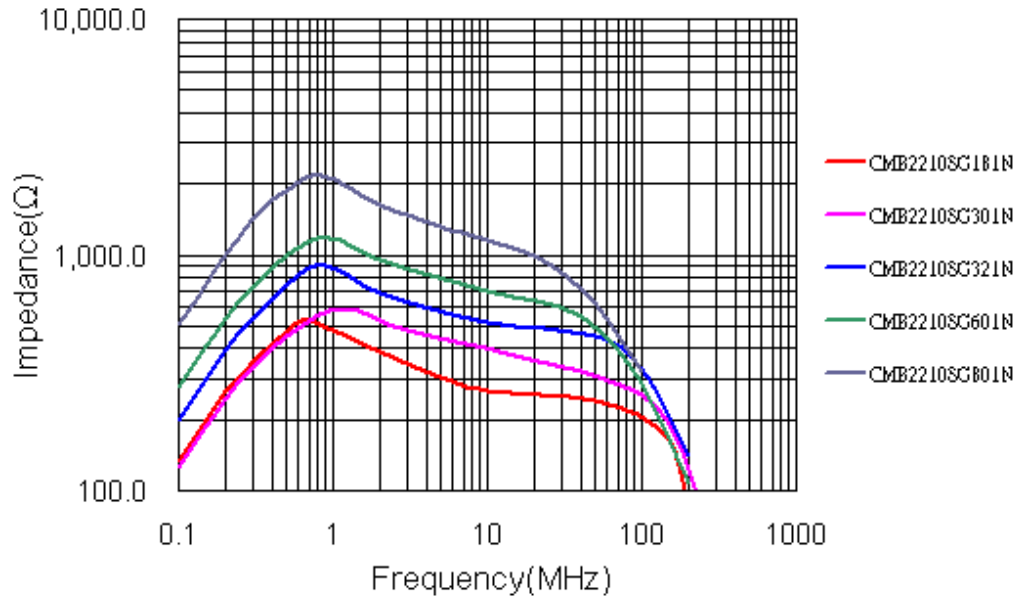
MECHANICAL



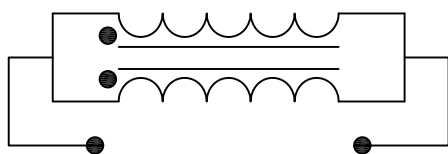
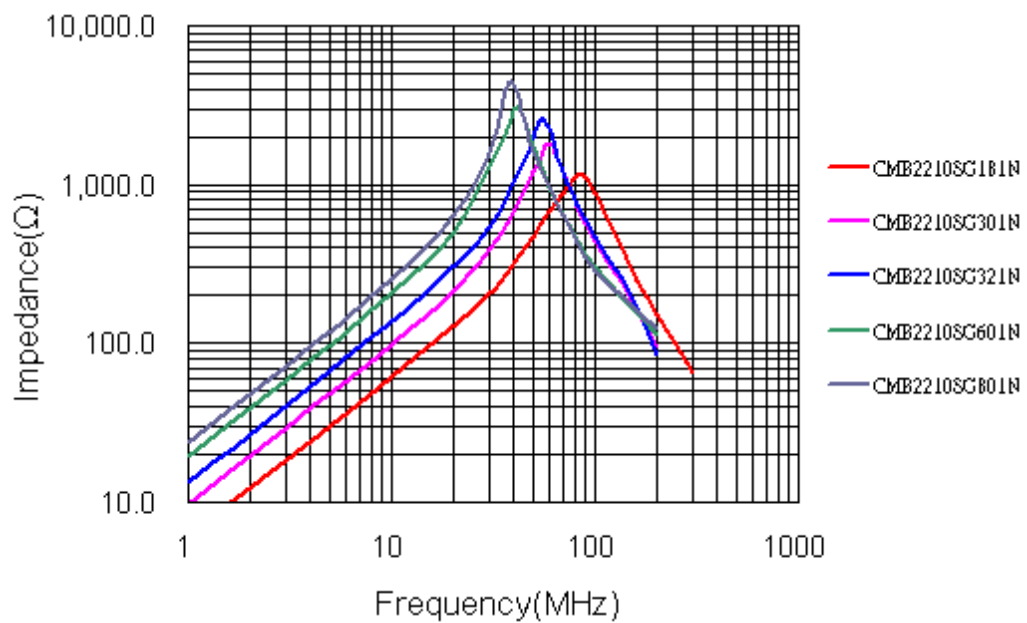
Unless otherwise specified all tolerances are: ±0.25 in mm

SCHEMATICS

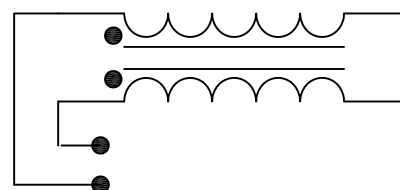




Different Mode



Common Mode



Different Mode